

X-ray scanner SC

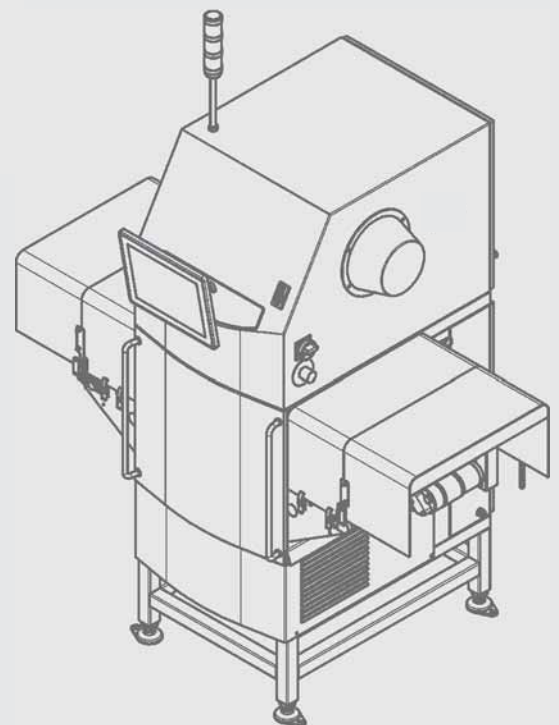
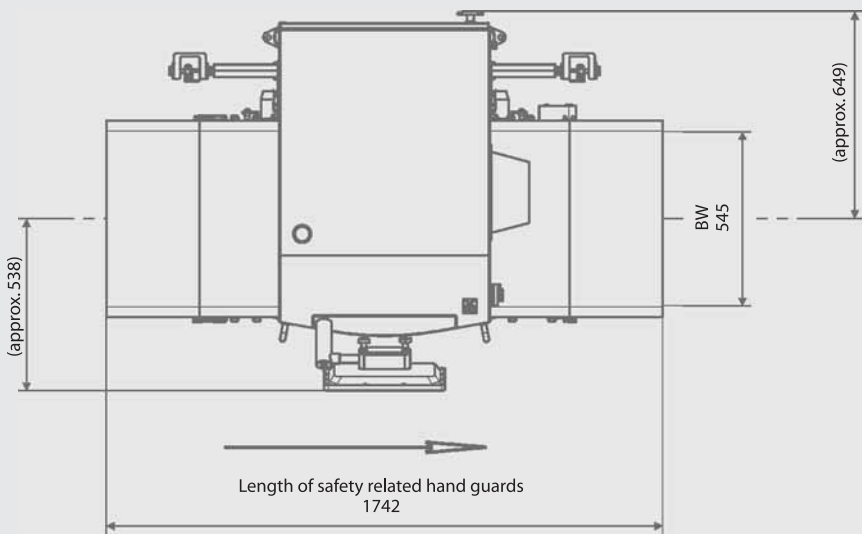
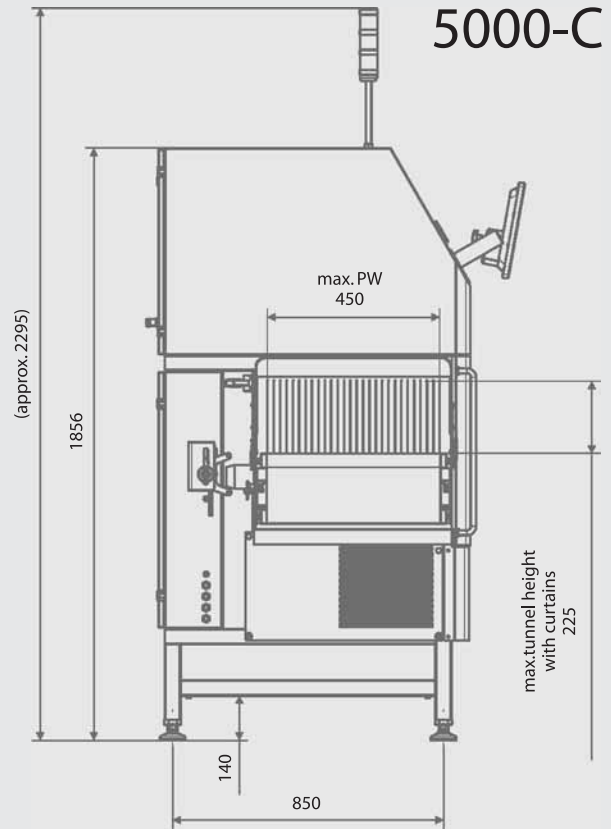
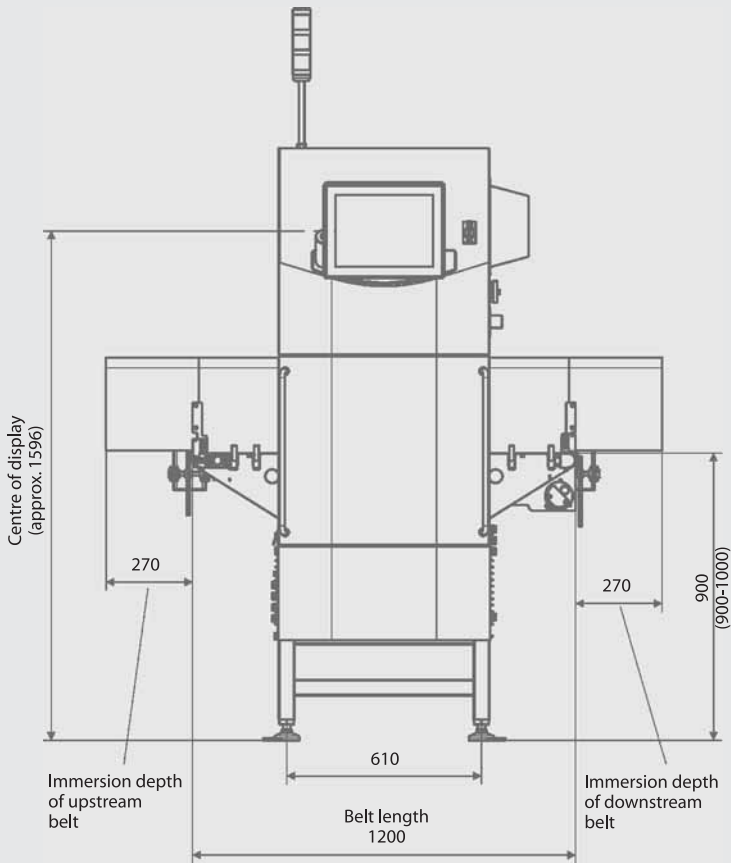
Innovative Technology

5000-C



X-ray tube voltage	max. 60 kV, adjustable setting
X-ray tube current	max. 10 mA, adjustable setting
Output	max. 600 W
X-ray emission	< 0.5 μ SV/h when used with all safety installations
X-ray type	industrial high performance tubes
Cooling	water cooled (internal)
Display	15" color-TFT with touch screen
Product height	max. 225 mm
Belt width	550 mm
Working height	900 - 1000 mm, 950 - 1050 mm, 1000 - 1100 mm other heights available on request
Total height including lamp	2295 - 2395 mm, 2345 - 2445 mm, 2395 - 2495 mm
Product storage	100 products, expandable
Belt speed	up to 120 m/min.
Power supply	230 V AC/50 Hz, 1,6 kVA, startup current 16 A The scanner has to be connected via a 16 A secured and separate supply.
Weight	approx. 600 kg
Ambient conditions	+5° C up to 40° C; relative moisture 30% to 85%
Protection class	IP 65
Material (housing)	Stainless steel 1.4301
Dimensions	
Length including safety cover	1745 mm
Belt length	1200 mm
Depth	approx. 1190 mm (including handle and monitor)

5000-C



OCS Checkweighers GmbH
 Adam-Hoffmann-Str. 26
 67657 Kaiserslautern
 Germany
 T +49.631.34146-0
 F +49.631.34146-8690
 info.ww@ocs-cw.com
 www.ocs-cw.com



CHECKWEIGHERS

A Wipotec Brand

All measurements in mm.

03GB 12B02 CGDC 5 Subject to technical modifications.