

# HC-WD

Technical data

OCS Checkweighers GmbH  
Adam-Hoffmann-Straße 26  
67657 Kaiserslautern  
Germany  
[www.ocs-cw.com](http://www.ocs-cw.com)  
[info.ww@ocs-cw.com](mailto:info.ww@ocs-cw.com)



08406101 CDCK 20

All rights reserved.

A Wipotec Brand



# HC-WD

Wash Down IP 69K

OCS Checkweighers GmbH  
Adam-Hoffmann-Straße 26  
67657 Kaiserslautern  
Germany  
www.ocs-cw.com  
info.ww@ocs-cw.com



The type HC-WD checkweigher is the ideal solution in industrial sectors that have especially high hygiene and cleaning requirements. The unique and innovative construction along with the solid stainless steel design makes it perfectly suitable for installation in moist and wet environments as well as for intensive and frequently repeating cleaning cycles (e.g. with steam jets). The optional cleaning program facilitates safe and thorough cleaning while the machine is running including automatic logging in the machine's electronic logbook. A wide selection of options and specifically matched handling systems enable flexible and application-oriented system configuration. The HC-WD provides the same comprehensive process control engineering functions as the HC checkweigher.

<b>Weighing principle</b>	The precision Weigh Cell works on the Electrodynamic Force Restoration (EMFR); automatic measuring time setting; Weigh Cell in solid stainless steel design with sloping housing faces (IP 69K)
<b>Conveyor technology</b>	Conveyor construction in hygiene compatible stainless-steel design (wall installation); FDA-conform materials utilized; optionally available with transport conveyor or round-section conveyor; toolfree conveyor replacement via eccentric tapped; best cleanliness evaluation by using open belt conveyor structure; easy to clean; stepless adjustable conveyor speed; powerful servo drives with fully stainless steel encapsulation (IP 69K), hinged conveyor as sorter in stainless steel design (optional)
<b>Frame</b>	Compact, solid stainless-steel underframe in optimum weighing-engineering construction; GMP compatible, easy to clean and open construction throughout with defined drip heads; optimal floor clearance with consideration of the sump height; no hidden cavities; high integration weight to increase stability and for improved parasitic oscillation absorption
<b>Display and operation</b>	Rotatable and tiltable display in solid stainless steel design with 10.4" colour TFT-Touch screen; Piezo operating keys for the start, stop and reset functions (IP 69K)
<b>Available dialog languages</b>	Bosnian, Croatian, Czech, Dutch, Danish, English, French, Finnish, German, Hungarian, Italian, Portuguese, Polish, Russian, Slovak, Spanish, Swedish, Turkish (other languages on request)
<b>Product parameter memory</b>	100 PLU as standard; optional extended to 400 PLU
<b>Possible number of connected motors</b>	3 motors (infeed conveyor, precision weighing conveyor, outfeed conveyor); three additional motors as standard
<b>Emergency operation</b>	Integrated emergency operation function with hardware switch and message on screen
<b>Rejection</b>	1 air nozzle or pusher (selectable) included in basic machine. Compressed air maintenance unit and control valve encased in separate stainless steel housing; wide, sophisticated range of sorting devices such as folding belts, sorting switches, etc. optionally available
<b>Interface</b>	Optionally: RS 232c, RS 422, RS 485, TTY (current loop), Ethernet

Please refer to the HC brochure for all available options or, if you like, our sales department would be glad to personally consult you.

# HC-WD

Wash Down IP 69K

OCS Checkweighers GmbH  
 Adam-Hoffmann-Straße 26  
 67657 Kaiserslautern  
 Germany  
 www.ocs-cw.com  
 info.ww@ocs-cw.com



HC-WD	GWR (gross weighing range)	max. DL (max. deadload)	e ≥ (min. calibration value)	n (graduation steps)
4000-3	3,750 g	12,000 g	0.5 g	7,500
4000-2	7,500 g	15,000 g	1 g	7,500

		HC-WD-4000-3		HC-WD-4000-2		
Length \ Width		150 mm	250 mm	150 mm	250 mm	350 mm
250 mm		x	x <sup>1)</sup>	x	x <sup>1)</sup>	x <sup>1)</sup>
300 mm		x	x	x	x	x <sup>1)</sup>
400 mm		x	x	x	x	x
500 mm		x	x	x	x	x
600 mm		x <sup>2)</sup>	x <sup>2)</sup>	x <sup>2)</sup>	x <sup>2)</sup>	x <sup>2)</sup>

<b>Maximum performance<sup>3)</sup></b>	350 pieces per min.
<b>Temperature range</b>	+5°C to + 40°C
<b>Certified</b>	10.49/98.01 (Germany) OIML Certificate no. R51/1996-DE-98.01
<b>Electrical connection</b> Nominal voltage Nominal frequency Connected load	L1/N/PE 230 V/115 V 50/60 Hz Approx. 0.8 kVA
<b>Compressed air supply</b>	6 bar approx. 10 NI/min Quality class 1/4/1 in acc. DIN ISO 8573-1
<b>Weight</b> Intrinsic weight Dispatch weight	Approx. 250 kg (standard machine) Approx. 300 kg
<b>Protection type<sup>4)</sup></b>	General protection type IP 69K Wash Down-Design (Cleaning with foam and jet-stream possible)
<b>Standard deviation (1s)<sup>3)</sup></b>	From 50 mg

<sup>1)</sup> Designed as round-section

<sup>2)</sup> Only possible as infeed or outfeed conveyor

<sup>3)</sup> Depending on the product shape, product behavior, transport speed and ambient conditions

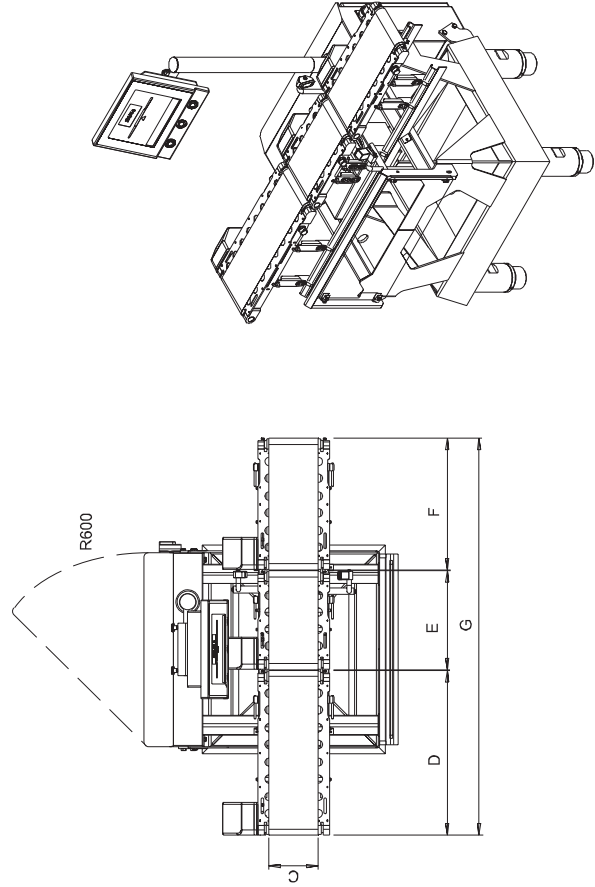
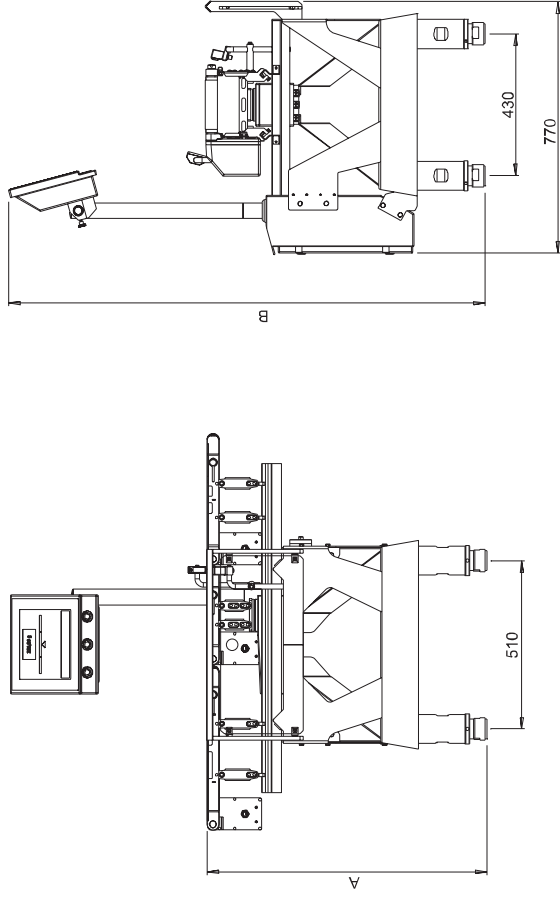
<sup>4)</sup> We recommend an application-related test of the required protection type

# HC-WD

Wash Down IP 69K



CHECKWEIGHERS



## Dimensions:

### Valid for all HC-WD checkweighers

A = Working height <sup>5)</sup>	700 - 1,050
B = Total height	A + 600
C = Conveyor width Roller diameter WD 35	150 / 250 / 350
D = Infeed / outfeed conveyor	250 / 300 / 400 / 500 / 600
E = Weighing conveyor	250 / 300 / 400 / 500
F = Outfeed / infeed conveyor	250 / 300 / 400 / 500 / 600
G = Total length	D + E + F + approx. 15 mm

<sup>5)</sup> Please specify working height when ordering. Minimally adjustable 70 mm.

All measurements in mm.

These measurements are guideline values for the standard machine without application-specific and weighing-specific attachment parts (e.g. product bins etc.)