

EC-M-SL-SI HC-SL-SI

OCS Checkweighers GmbH
Adam-Hoffmann-Straße 26
67657 Kaiserslautern
Germany
www.ocs-cw.com
mail@ocs-cw.com



Technical data

03GB 13B01 CKCL 5

All rights reserved.

A Wipotec Brand



EC-M-SL-SI HC-SL-SI

OCS Checkweighers GmbH
Adam-Hoffmann-Straße 26
67657 Kaiserslautern
Germany
www.ocs-cw.com
maillog@ocs-cw.com



The dynamic scales type EC-M-SL-SI and HC-SL-SI provide the ideal solution for precise and quick weight detection for products up to 60 kg total weight as well as large dimensions in the following fields of business:

- Logistics, especially in CEP-Market (Courier, Express and Parcel-Market), in mail-order business or in general material handling/intralogsitics
- Industry sector, e.g. for bags, canisters, tins

Furthermore, the machine types EC-M-SL-SI and HC-SL-SI offer high weighing accuracies and at the same time high belt speeds and therefore throughput rates by latest weighing technology.

Weighing principle The precision weighcell works according to the principle of Electro Magnetic Force Restoration (EMFR)

Conveyor technology Patent-registered belt design with sandwich technology respectively lightweight conveyor design
Fast changing and adjustment of the belt
Stepless adjustment of the belt speed via frequency converter

Frame Base frame in robust steel tube design, cross braces made of solid materials to increase the stability and the integration weight

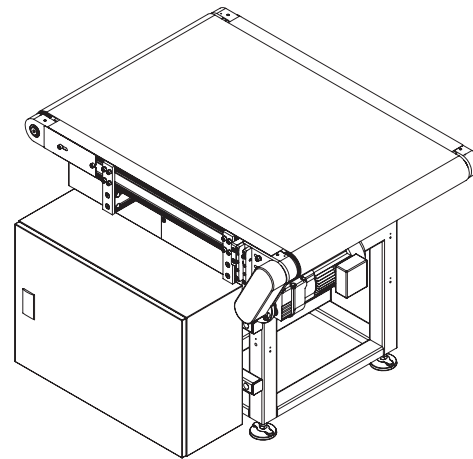
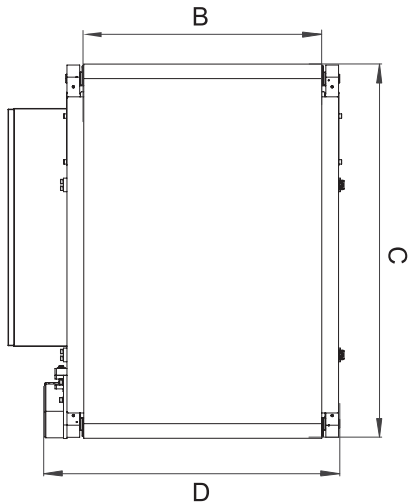
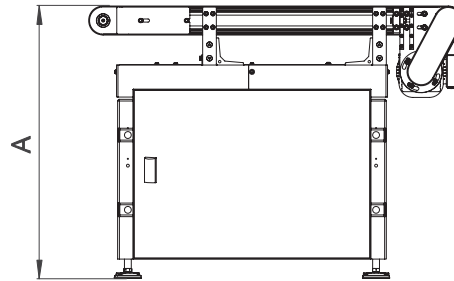
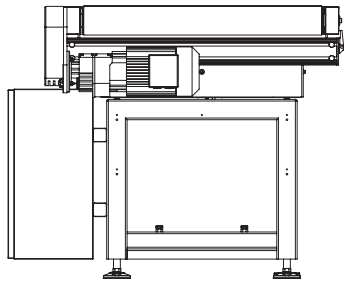
Machine type	EC-M-SL-... and HC-SL-...		
	1-SI	2-SI	3-SI
Belt type	SL 60 (Ø 60 mm)	SL 80 (Ø 80 mm)	
Max. weighing range	30,000 g	60,000 g	
Max. speed	2 m/s	3 m/s	
Calibration value (e_{min})	≥ 2 g	≥ 5g	
Weigh Cell	IW-B 60k	IW-B 150k	
Protection type¹	IP 54	IP 55	
Drive	asynchronous		
Working height² [mm]	600-700 (750) / 700-800 (850) / 800-900 (950) / 900-1,000 (1,050)		

EC-M-SL-SI HC-SL-SI

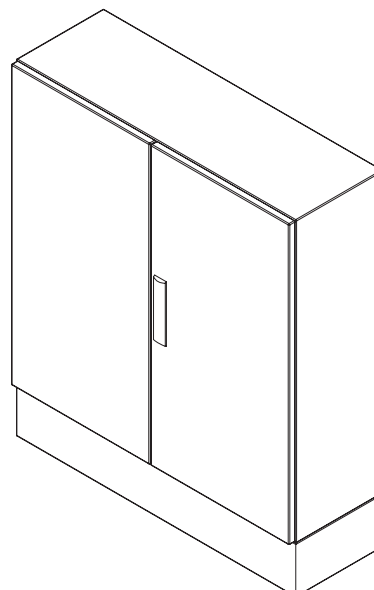
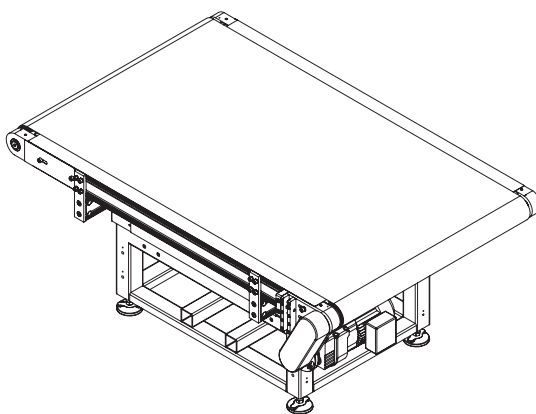
OCS Checkweighers GmbH
Adam-Hoffmann-Straße 26
67657 Kaiserslautern
Germany
www.ocs-cw.com
maillog@ocs-cw.com



Mechanical data



Option: Stand alone cabinet



EC-M-SL-SI HC-SL-SI

OCS Checkweighers GmbH
Adam-Hoffmann-Straße 26
67657 Kaiserslautern
Germany
www.ocs-cw.com
maillog@ocs-cw.com



Mechanical data

Belt sizes ³	EC-M-SL-... and HC-SL-...							
	1-SI			2-SI		3-SI		
Belt width [mm] \ Belt length [mm]	400	500	600	600	700	800	900	1,000
600	X	X	-	-	-	-	-	-
700	X	X	X	-	-	-	-	-
800	X	X	X	-	-	-	-	-
900	X	X	X	-	-	-	-	-
1000	X	X	X	-	-	-	-	-
1100	-	-	-	X	X	X	X	X
1200	-	-	-	X	X	X	X	X
1300	-	-	-	X	X	X	X	X
1400	-	-	-	X	X	X	X	X
1500	-	-	-	X	X	X	X	X
1600	-	-	-	X	X	X	X	X
1700	-	-	-	-	-	X	X	X
1800	-	-	-	-	-	X	X	X

Dimensions:

Valid for all EC-M-SL-SI and HC-SL-SI	
A = Working height	600-700 (750) / 700-800 (850) / 800-900 (950) / 900-1,000 (1,050)
B = Weighing belt width	400 - 1,000 (see table)
C = Weighing belt length	600 - 1,800 (see table)
D = Total weighing conveyor width	Weighing belt width + 200
Dimensions cabinet EC on frame	600 x 380 x 210
Dimensions cabinet HC on frame	700 x 500 x 250
Dimensions stand alone cabinet	600 x 1,400 x 300 / 1,200 x 1,400 x 300 (depending on application)

All measurements in mm.

These measurements are guideline values for a standard machine without application-specific and weighing-specific attachment parts.

Mounting cabinet on frame:

Belt width [mm] \ Belt length [mm]	EC-M-SL-... and HC-SL-...															
	1-SI						2-SI				3-SI					
	400		500		600		600		700		800		900		1,000	
	EC	HC	EC	HC	EC	HC	EC	HC	EC	HC	EC	HC	EC	HC	EC	HC
600-700	X	X	-	-	-	-	-	-	-	-	-	-	-	-	-	-
700-800	X	X	X	-	X	-	X	-	X	-	X	-	X	-	X	-
800-900	X	X	X	X	X	X	X	X	X	X	X	X	X	X	X	X
900-1,000	X	X	X	X	X	X	X	X	X	X	X	X	X	X	X	X

x = cabinet mounted on frame possible

- = cabinet mounted on frame not possible respectively stand alone cabinet

³⁾ other conveyor sizes on request

EC-M-SL-SI HC-SL-SI

OCS Checkweighers GmbH
Adam-Hoffmann-Straße 26
67657 Kaiserslautern
Germany
www.ocs-cw.com
maillog@ocs-cw.com



Possible controllers

	EC-Controller	HC-Controller
Display and operation	4.7" graphical LCD touch screen, monochrome („Type RC-Term“)	10.4" TFT touch screen, VGA resolution, colour display („Type HC-Bedienterminal“)
Available dialog languages⁴	Croatian, Czech, Danish, Dutch, English, Finnish, French, German, Hungarian, Italian, Polish, Portuguese, Romanian, Russian, Slovenian, Spanish, Swedish, Turkish	
	-	Bosnian, Chinese
Digital I/O	8 digital inputs 12 digital outputs	8 digital inputs 8 digital outputs upgradeable
Possible maximum number of connected motors	4 motors (no motor mixed operation)	6 motors (motor mixed operation possible)
External interface⁵	2 serial (selectable RS 232 / RS 422 / RS 485 / TTY) 1 Ethernet	4 serial (selectable RS 232 / RS 422 / RS 485 / TTY) 1 Ethernet Field bus: Profibus DP
	save & print on USB stick (Option)	

Electrical connection	Controller	Motor
Nominal voltage	230 V / 115 V	3 ~ 380 V - 480 V 1 ~ 230 V / 115 V
Nominal frequency	50 / 60 Hz	50 / 60 Hz
Connected load	< 0.2 kVA	application dependent

Type approvals/ Certificates	MID: DE-08-MI006-PTB 028 (EU & EFTA states)	
	NTEP: 08-053 (USA)	
	AM-5368 (Canada)	
	03.009.0386 (Russia)	03.009.0385 (Russia)
	GOST-R: POCC DE.TH02.H02764	
	OIML Certificate Nr: R51/1996-DE1-98.01	

⁴⁾ other languages on request

⁵⁾ other / additional interfaces on request

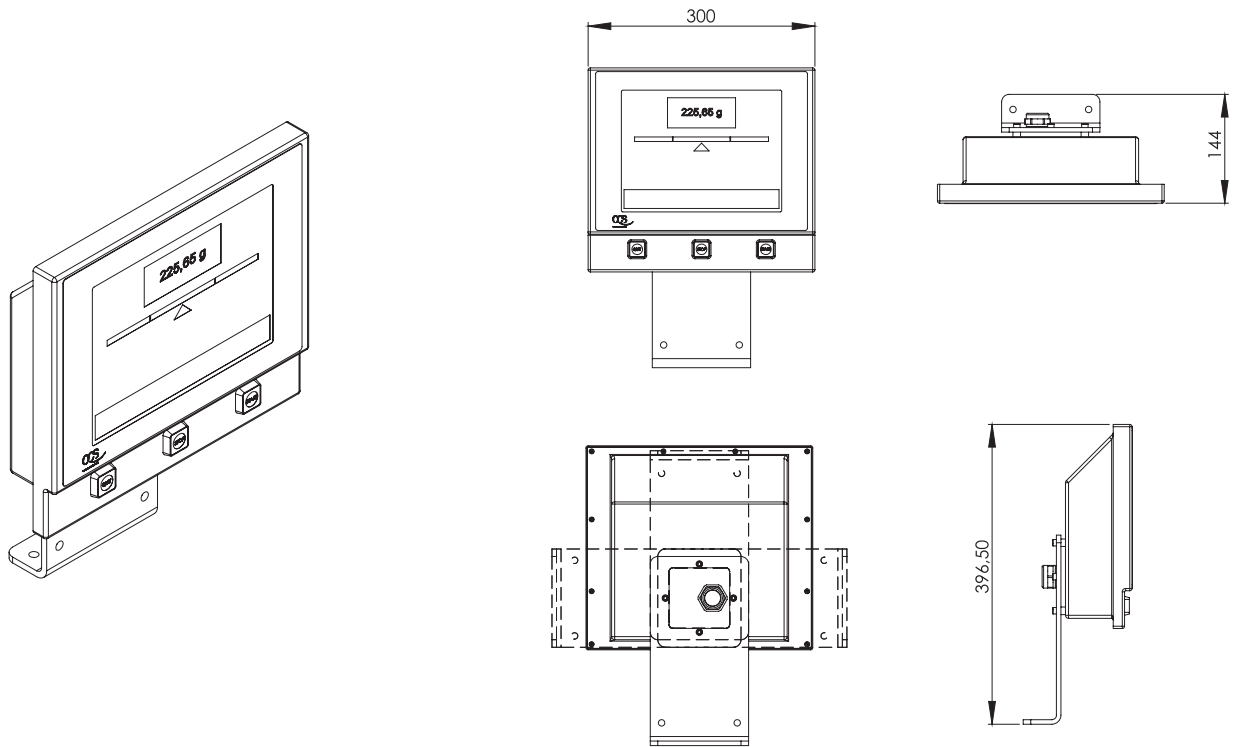
EC-M-SL-SI HC-SL-SI

OCS Checkweighers GmbH
Adam-Hoffmann-Straße 26
67657 Kaiserslautern
Germany
www.ocs-cw.com
maillog@ocs-cw.com



Display and operating unit

HC operation terminal for connection with HC scale



RC-Term for connection with EC scale

