

# HC

Technical data

OCS Checkweighers GmbH  
Adam-Hoffmann-Straße 26  
67657 Kaiserslautern  
Germany  
[www.ocs-cw.com](http://www.ocs-cw.com)  
[info.ww@ocs-cw.com](mailto:info.ww@ocs-cw.com)



CHECKWEIGHERS

08402101 CDCK 20

All rights reserved.

A Wipotec Brand



HC checkweighers fulfil the most exacting demands placed on modern, dynamic weighing technology with regard to precision and throughput.

With regard to control technology and also mechanically, they offer the perfect platform for realising complex closed-loop control and open-loop control tasks, as well as application-specific solutions to meet the strictest requirements.

The HC continues the product and control philosophy known from its sister models. At the same time, it significantly extends the possible uses and completes the wide product range, particularly for high-end applications.

**Weighing principle** The industrial weighing cell works on the principle of Magnetic Force Restoration; automatic measuring time recording

**Conveyor technology** Lightweight conveyor design (V2A/anodised aluminium), changing without tools and adjustment of the conveyors and belts; stepless conveyor speed

**Frame** Stainless steel base frame made of solid tubular steel; easy-to-clean structure for the pharmaceutical and foodstuffs industry, suitable for GMP; cable routing integrated in the tubular frame; high integration weight for improved absorption of vibrations

**Display and operation** 10.4 TFT touch-screen, VGA resolution, black and white, optional colour monitor

**Available dialog languages** Bosnian, Danish, Dutch, English, Finnish, French, German, Hungarian, Italian, Portuguese, Spanish, Turkish , (other languages on request)

**Product parameter memory** 100 PLU standard; can be optionally extended to 400 PLU

**Possible number of Connected motors** 6 (infeed conveyor, precision weighing belt, outfeed conveyor, 3 additional motors as standard)

**Emergency operation** Integrated emergency operation function with hardware switch and message on screen

**Rejection** A fully-developed and wide range of sorting units such as pushers, air blast pushers, flaps, sorting gates etc.

**Interface** Optionally: RS 232c, RS 422, RS 485, TTY (current loop), Ethernet

The accompanying brochure HC gives an overview of all available options.

HC-	GWB (gross weighing range)	max. DL (max. deadload)	e ≥ (min. calibration value)	n (graduation steps)
2000-2	750 g	4000 g	0.1 g	7500
2000-1	1500 g	4000 g	0.2 g	7500
3000-3	1500 g	8500 g	0.2 g	7500
3000-2	3750 g	8500 g	0.5 g	7500
3000-1	7500 g	8500 g	1.0 g	7500
4000-2	7500 g	15000 g	1.0 g	7500

<b>Maximum performance</b> <sup>1)</sup>	600 units per min.
<b>Temperature range</b>	+5° C to +40° C
<b>Certified</b>	10.49/98.01 (Germany) OIML Certificate no. R51/1996-DE-98.01
<b>Electrical connection</b> Nominal voltage Nominal frequency Connected load	L1/N/PE 230 V/115 V 50/60 Hz Approx. 0,8 kVA
<b>Compressed air supply</b>	6 bar approx. 10 NI/min Quality class 1/4/1 in acc. with DIN ISO 8573-1
<b>Weight</b> Intrinsic weight Dispatch weight	Approx. 220 kg (standard machine) Approx. 280 kg
<b>Protection type</b> <sup>2)</sup>	General protection type IP 65 (only sprayed water from above, for IP 65 full protection, see WP or NH version)
<b>Standard deviation (1s)</b> <sup>1)</sup>	From 50 mg

<sup>1)</sup> Depending on the product shape, product behaviour, transport speed and ambient conditions.

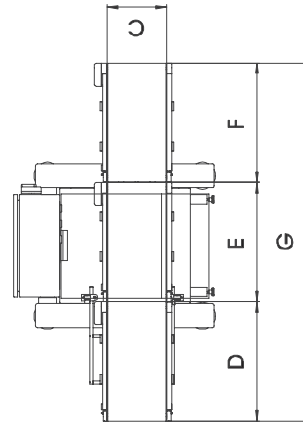
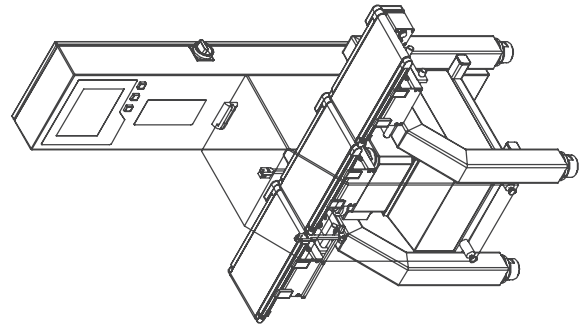
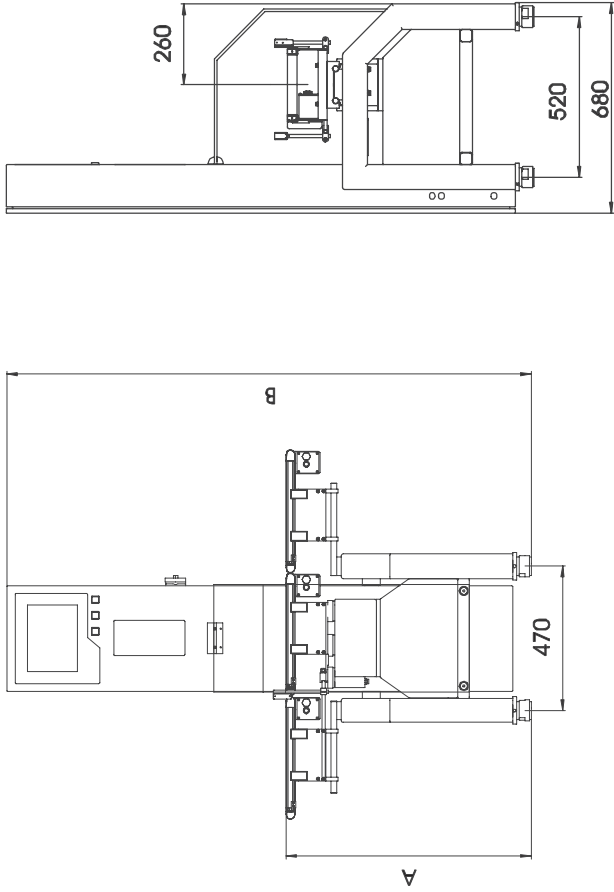
<sup>2)</sup> We recommend an application-related test of the required protection type.

# HC

Basic machine



C H E C K W E I G H E R S



## Dimensions:

Valid for all HC checkweighers	
A = Working height	700-850 / 800-950 / 900-1050
B = Total height	approx. 1700 (+ 150 mm when using the max. foot height)
C = Conveyor width Roller diameter NT 30 Roller diameter NT 17	120 / 150 / 200 / 300 80 / 120 / 150
D = Infeed/outfeed conveyor	200 / 300 / 400 / 500
E = Weighing belt	200 / 250 / 300 / 400 / 500
F = Outfeed/infeed conveyor	200 / 300 / 400 / 500
G = Total length	D + E + F + approx. 15 mm

## Weight values:

Valid for NT-30 weighing conveyors						
Width	Length	200	250	300	400	500
120		2.550 g	2.700 g	2.900 g	3.300 g	3.700 g
150		2.700 g	2.900 g	3.100 g	3.500 g	3.900 g
200		3.150 <sup>3)</sup> g	3.350 g	3.550 g	4.100 g	4.350 g
300		- <sup>3)</sup>	4.550 <sup>3)</sup> g	4.750 <sup>3)</sup> g	5.300 g	5.550 g

<sup>3)</sup> = optional as strap conveyor

All measurements in mm. The stated weights are approximate values. These measurements are guideline values for the standard machine without application-specific and weighing-specific attachment parts (e.g. product bins etc.).