

EC-M-3000/4000-SI HC-3000/4000-SI

OCS Checkweighers GmbH
Adam-Hoffmann-Straße 26
67657 Kaiserslautern
Germany
www.ocs-cw.com
mail@ocs-cw.com



CHECKWEIGHERS

Technical data

03GB 15B01 CKCL 5

All rights reserved.

A Wipotec Brand



EC-M-3000/4000-SI HC-3000/4000-SI

OCS Checkweighers GmbH
Adam-Hoffmann-Straße 26
67657 Kaiserslautern
Germany
www.ocs-cw.com
maillog@ocs-cw.com



Mechanical data

The dynamic scales type EC-M-3000/4000-SI and HC-3000/4000-SI provide the ideal solution for precise and quick weight detection for products up to 7.5 kg total weight in the following fields of business:

- Logistics, especially in CEP-Market (Courier, Express and Parcel-Market), e.g. for small parcels, flats, letters; in mail-order business, at banks, at insurances or in general material handling/intralogistics

Furthermore, the machine types EC-M-3000/4000-SI and HC-3000/4000-SI offer high weighing accuracies and at the same time high belt speeds and therefore throughput rates by latest weighing technology.

Weighing principle The precision weighcell works according to the principle of Electro Magnetic Force Restoration (EMFR)

Conveyor technology Patent-registered belt design with sandwich technology respectively lightweight conveyor design
Fast changing and adjustment of the belt
Several belt sizes only available with flat belt
Stepless adjustment of the belt speed via servomotor

Frame Base frame in robust steel tube design, cross braces made of solid materials to increase the stability and the integration weight

Machine type	EC-M-... and HC-...		
	3000-1-SI	3000-2-SI	4000-2-SI
Max. weighing range	7,500 g	3,750 g	7,500 g
Calibration value (e _{min})	≥ 0.1 g	≥ 0.1 g	≥ 0.2 g
Weigh Cell	EC-3000-1	EC-3000-2	EC-4000-2
Drive	servo		
Max. speed	2 m/s		
Belt type	NT 30 (Ø 30 mm)		
Protection type	IP 54		
Working height ¹ [mm]	900-1,000 (1,050)		

Belt sizes ²	EC-M-... and HC-...			
	3000-1-SI / 3000-2-SI		4000-2-SI ³	
Belt width [mm]	200	300	300	400
Belt length [mm]				
400	X	X	-	-
500	X	X	X	X
600	X	X	X	X

¹⁾ other working heights on request

²⁾ other conveyor sizes on request

³⁾ only available with flat belt

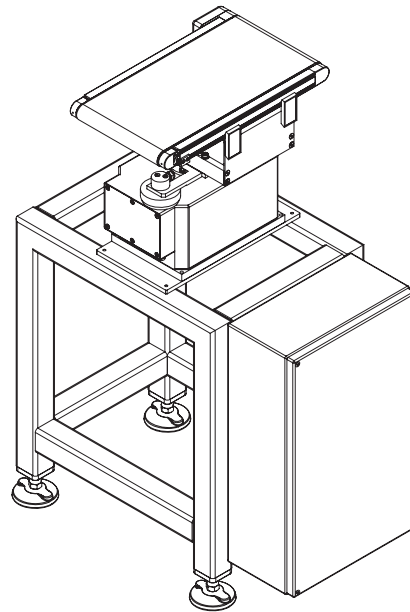
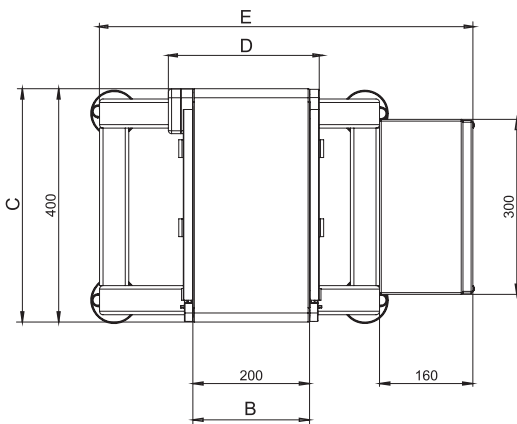
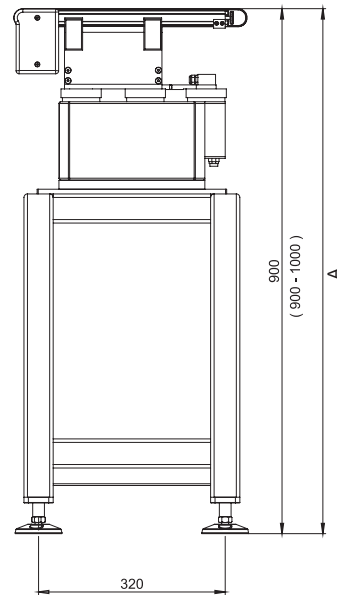
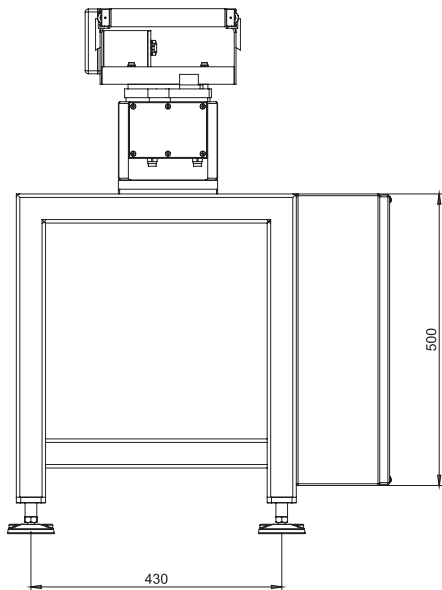
EC= Economic Catchweigher/Checkweigher
HC= Highend Catchweigher/Checkweigher
SI= System Integration

EC-M-3000/4000-SI HC-3000/4000-SI

OCS Checkweighers GmbH
Adam-Hoffmann-Straße 26
67657 Kaiserslautern
Germany
www.ocs-cw.com
maillog@ocs-cw.com



Mechanical data



Dimensions:

Valid for all EC-M-3000-1-SI und HC-3000-1-SI EC-M-3000-2-SI und HC-3000-2-SI	
A = Working height	900-1,000 (1,050)
B = Weighing belt width	200 / 300 (see table)
C = Weighing belt length	400 / 500 / 600 (see table)
D = Total weighing conveyor width	Weighing belt width + 66
E = Total depth	570 (≙ depth frame) + 160 (≙ depth cabinet)
Dimensions cabinet EC on frame	500 x 300 x 160
Dimensions cabinet HC on frame	600 x 450 x 250

All measurements in mm.

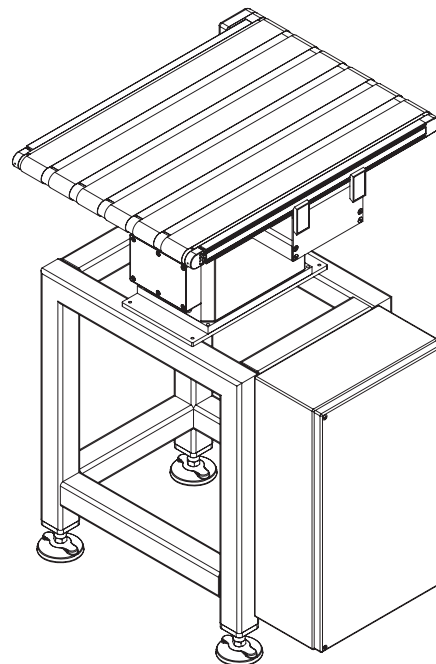
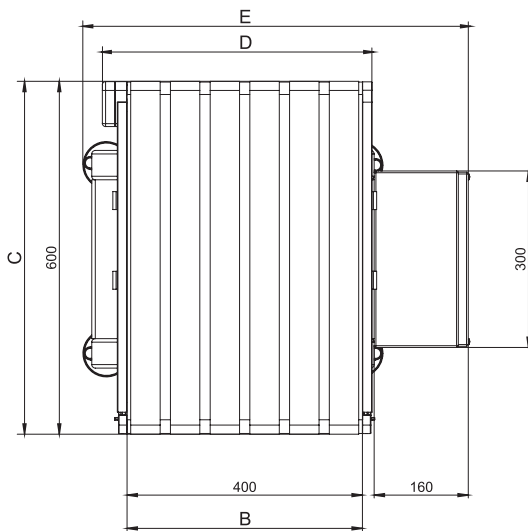
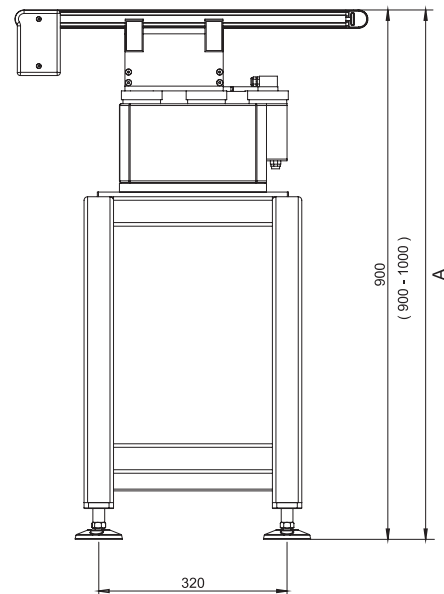
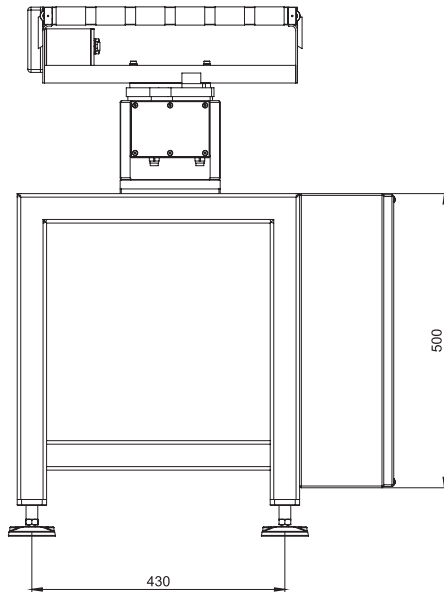
These measurements are guideline values for a standard machine without application-specific and weighing-specific attachment parts.

EC-M-3000/4000-SI HC-3000/4000-SI

OCS Checkweighers GmbH
Adam-Hoffmann-Straße 26
67657 Kaiserslautern
Germany
www.ocs-cw.com
maillog@ocs-cw.com



Mechanical data



Dimensions:

Valid for all EC-M-4000-2-SI and HC-4000-2-SI	
A = Working height	900-1,000 (1,050)
B = Weighing belt width	300 / 400 (see table)
C = Weighing belt length	500 / 600 (see table)
D = Total weighing conveyor width	Weighing belt width + 66
E = Total depth	570 ($\hat{=}$ depth frame) + 160 ($\hat{=}$ depth cabinet)
Dimensions cabinet EC on frame	500 x 300 x 160
Dimensions cabinet HC on frame	600 x 450 x 250

All measurements in mm.

These measurements are guideline values for a standard machine without application-specific and weighing-specific attachment parts.

EC-M-3000/4000-SI HC-3000/4000-SI

OCS Checkweighers GmbH
Adam-Hoffmann-Straße 26
67657 Kaiserslautern
Germany
www.ocs-cw.com
maillog@ocs-cw.com



Possible controllers

	EC-Steuerung	HC-Steuerung
Display and operation	4.7" graphical LCD touch screen, monochrome („Type RC-Term“)	10.4" TFT touch screen, VGA resolution, colour display („Type HC-Bedienterminal“)
Available dialog languages⁴	Croatian, Czech, Danish, Dutch, English, Finnish, French, German, Hungarian, Italian, Polish, Portuguese, Romanian, Russian, Slovenian, Spanish, Swedish, Turkish	
	-	Bosnian, Chinese
Digital I/O	8 digital inputs 12 digital outputs	8 digital inputs 8 digital outputs upgradeable
Possible maximum number of connected motors	4 motors (no motor mixed operation)	6 motors (motor mixed operation possible)
External interface⁵	2 serial (selectable RS 232 / RS 422 / RS 485 / TTY) 1 Ethernet	4 serial (selectable RS 232 / RS 422 / RS 485 / TTY) 1 Ethernet Field bus: Profibus DP
	save & print on USB stick (Option)	

Electrical connection	Controller	Motor
Nominal voltage	230 V / 115 V	3 ~ 380 V - 480 V 1 ~ 230 V / 115 V
Nominal frequency	50 / 60 Hz	50 / 60 Hz
Connected load	< 0.2 kVA	application dependent

Type approvals/ Certificates	MID: DE-08-MI006-PTB 028 (EU & EFTA states)	
	NTEP: 08-053 (USA)	
	AM-5368 (Canada)	
	03.009.0386 (Russia)	03.009.0385 (Russia)
	GOST-R: POCC DE.TH02.H02764	
	OIML Certificate Nr: R51/1996-DE1-98.01	

⁴⁾ other languages on request

⁵⁾ other / additional interfaces on request

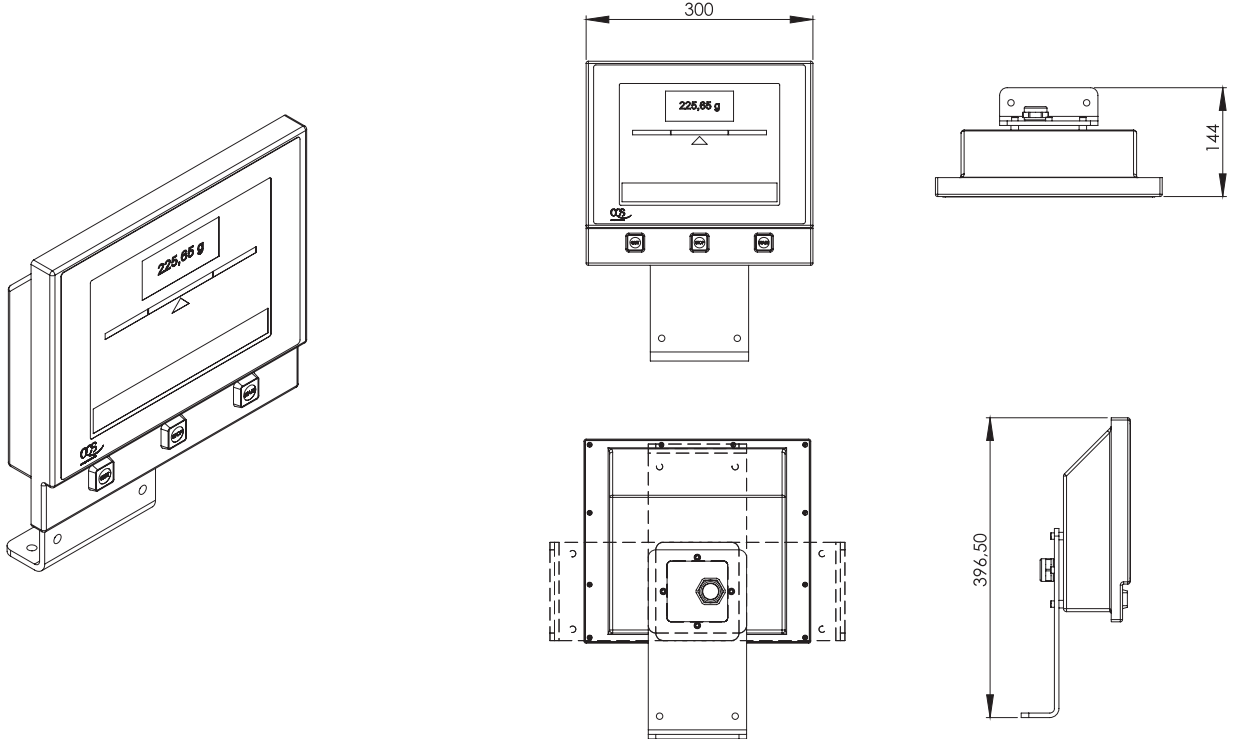
EC-M-3000/4000-SI HC-3000/4000-SI

OCS Checkweighers GmbH
Adam-Hoffmann-Straße 26
67657 Kaiserslautern
Germany
www.ocs-cw.com
maillog@ocs-cw.com



Display and operating unit

HC operation terminal for connection with HC scale



RC-Term for connection with EC scale

