

EC-M-SL-3-SI Basic

OCS Checkweighers GmbH
Adam-Hoffmann-Straße 26
67657 Kaiserslautern
Germany
www.ocs-cw.com
mail@ocs-cw.com



Technical data

03GB 10B01 CEDC 10

All rights reserved.

A Wipotec Brand



EC-M-SL-3-SI Basic

OCS Checkweighers GmbH
Adam-Hoffmann-Straße 26
67657 Kaiserslautern
Germany
www.ocs-cw.com
mailog@ocs-cw.com



mechanical data

The dynamic scales type EC-M-SL-3-SI-Basic provide the ideal solution for precise and quick weight detection for products up to 60 kg total weight as well as large dimensions in the following fields of business:

- Logistics, especially in CEP-Market (Courier, Express and Parcel - market), in mail-order business or in general material handling/intralogistics
- Industry sector, e.g. for bags, canisters, tins

Furthermore, the machine type EC-M-SL-3-SI-Basic offers high weighing accuracies and at the same time high belt speeds and therefore throughput rates by latest weighing technology.

Weighing principle The precision Weigh Cell works on the principle of Electro Magnetic Force Restoration (EMFR)

Frame Base frame in a stable tubular frame design, powder-coated (RAL 7035)

Machine type	EC-M-SL-3-SI-Basic
Belt type	Ø 80 mm
Max. weighing range	60,000 g
Min. weighing range	≥ 250 g ($\hat{=}$ 5e) for postal applications
Max. speed	1.2 m/s
Available speeds	0.8 m/s / 1.0 m/s / 1.2 m/s
Calibration value (e_{min})	≥ 50 g
Weigh cell	IW-B-150k
Drive	fixed drive ¹
Protection type	IP 55
Working height	600-700 mm / 700-800 mm / 800-900 mm

Belt sizes	EC-M-SL-3-SI-Basic	
Belt width (mm)	800	1,000
Belt length (mm)		
1,100	X	-
1,300	X	X
1,600	X	X

¹⁾ variable frequency drive provided by customer possible

EC= Economic Catchweigher/Checkweigher
SL= Heavy Load
SI= System Integration

EC-M-SL-3-SI Basic

OCS Checkweighers GmbH
Adam-Hoffmann-Straße 26
67657 Kaiserslautern
Germany
www.ocs-cw.com
mailog@ocs-cw.com



Controller

EC-Controller	
Display and operation	5,7"graphical LCD touch screen, monochrome integrated in cabinet
Available dialog languages¹	Croatian, Czech, Danish, Dutch, English, Finnish, French, German, Hungarian, Italian, Polish, Portuguese, Romanian, Russian, Slovenian, Spanish, Swedish, Turkish
Digital I/O	8 digital inputs 12 digital outputs
Interface	RS 232 (as standard included)
Possible options	One additional interface selectabel of RS 232 / RS 422 / RS 485 and/or one additional Ethernet interface Inputs / outputs with dry contacts via relay EC Remote Control Alibi memory (DaMAS: Data Merger and Alibi Memory) Maintenance switch s/w Motor with VFD (Variable Frequency Drive) Cabinet according to UL/CSA Additional transport conveyer Ø 80 mm

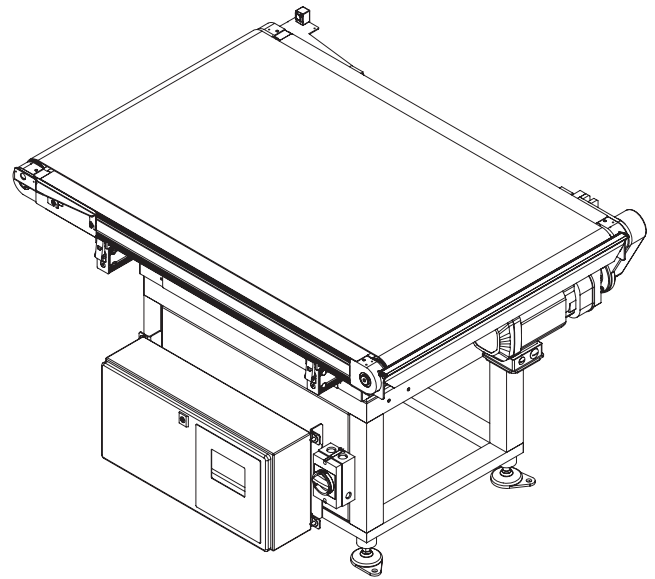
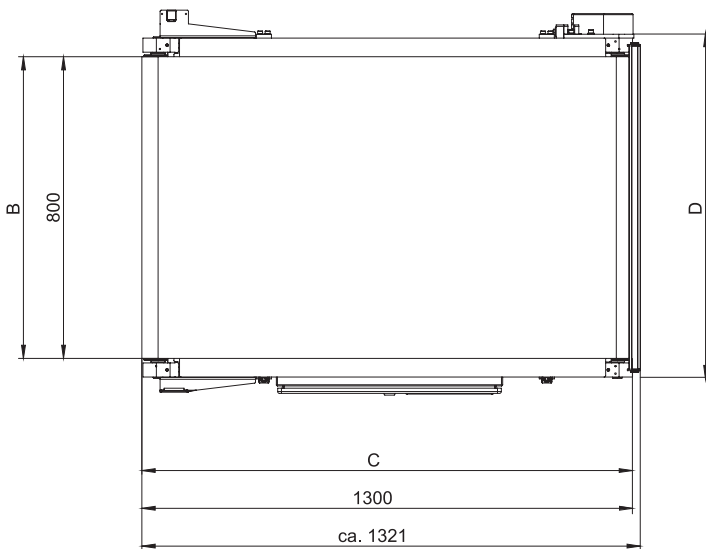
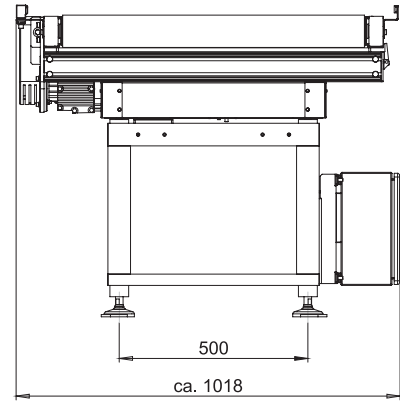
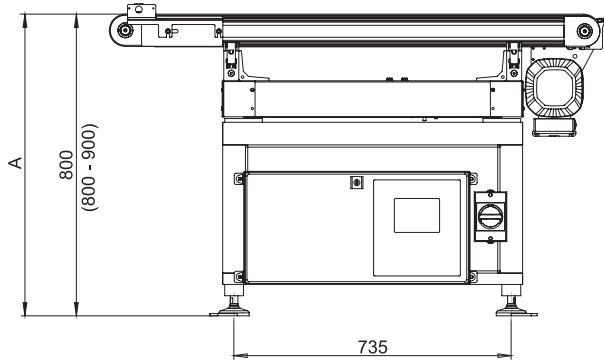
Electrical connection	Controller	Motor
Nominal voltage	1~ / 230 V / 115 V	3~ / 380 V - 480 V 1~ / 230 V / 115 V
Nominal frequency	50 / 60 Hz	50 / 60 Hz
Connected load	< 0.2 kVA	0.75 kVA

Type approvals/ Certificates	MID: DE-08-MI006-PTB 028 (EU & EFTA)
	NTEP: 08-053 (USA)
	AM-5368 (Canada)
	03.009.0386 (Russia)
	OIML Certificate Nr: R51/1996-DE1-98.01

¹⁾ other languages on request

EC-M-SL-3-SI Basic

OCS Checkweighers GmbH
 Adam-Hoffmann-Straße 26
 67657 Kaiserslautern
 Germany
 www.ocs-cw.com
 maillog@ocs-cw.com



Dimensions:

Valid for EC-M-SL-3-SI-Basic:	
A = Working height	600-700 / 700-800 / 800-900
B = Weighing belt width	800 / 1,000
C = Weighing belt length	1,100 / 1,300 / 1,600
D = Total weighing conveyor width	Weighing belt width + 200
Dimensions cabinet on frame (L x B x T)	600 x 300 x 155

All measurements in mm.

These measurements are guidelines values for the standard machine without application-specific and weighing-specific attachment parts (e.g. product bins etc.)